

PRODUCTS

TECHNICAL INFORMATION

WW20 SERIES FIXED WINDOW WALL



PRODUCT DESCRIPTION

SYSTEM DESCRIPTION:

- › Large Missile Impact and Small Missile Impact
- › Frame size (depth): 5 7/8"
- › Maximum height: 12'-0" (SMI) - 10'-6" (LMI)
- › Maximum panel width: 5'-0 1/4" (60 1/4")

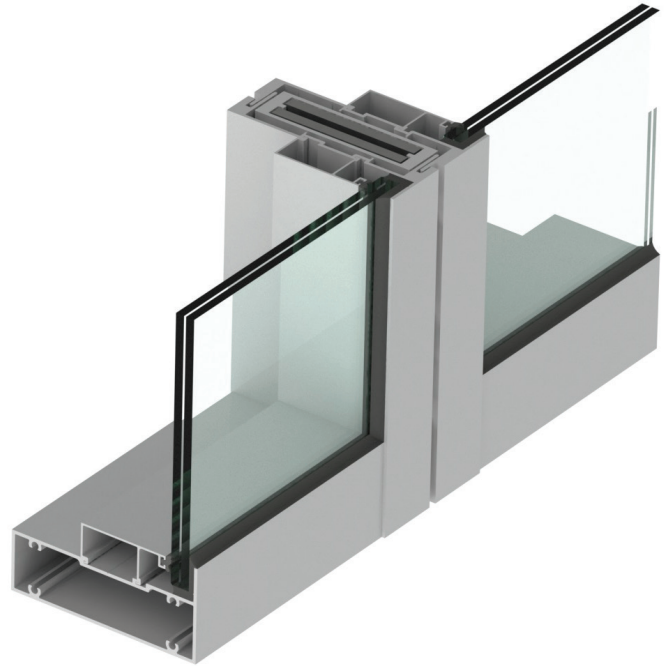
FEATURES

- › Pre-assembled & pre-glazed
- › Laminated/Insulated (1 5/16") and laminated (9/16") glass available

PERFORMANCE

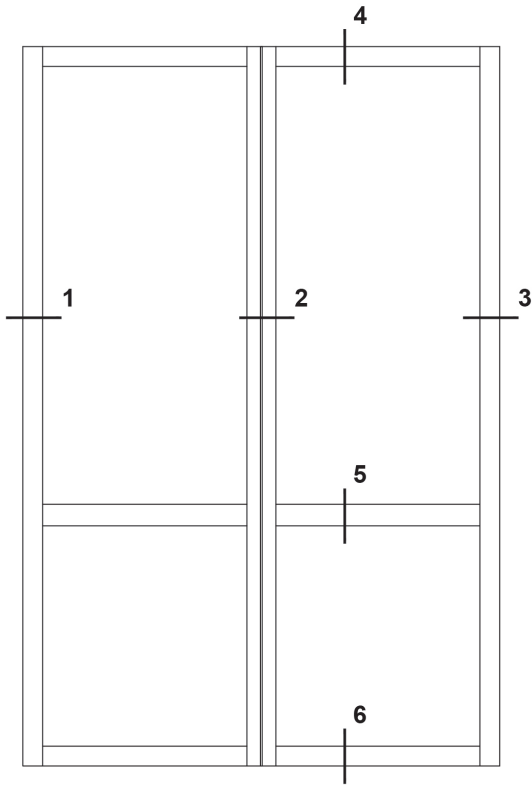
- › Design loads:
 - + 130/-130 PSF (LMI)
 - + 160/-160 PSF (SMI)

(See product approval charts for specific design loads capacities)
- › Air infiltration: 6.24 PSF
- › Water Infiltration: 19.5 PSF

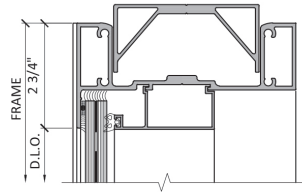


TYPICAL DETAILS

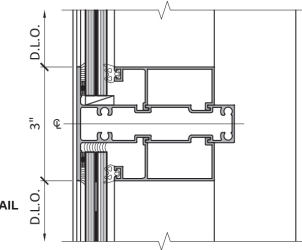
Option 1: 9/16" Laminated glass



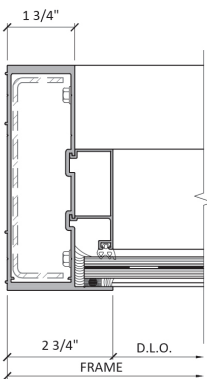
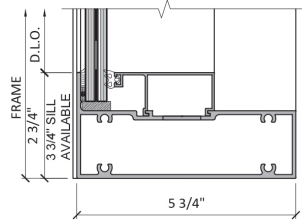
4 HEAD DETAIL



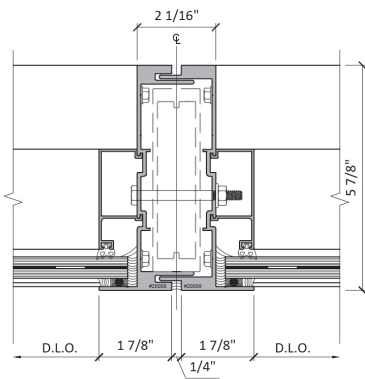
5 HORIZONTAL DETAIL



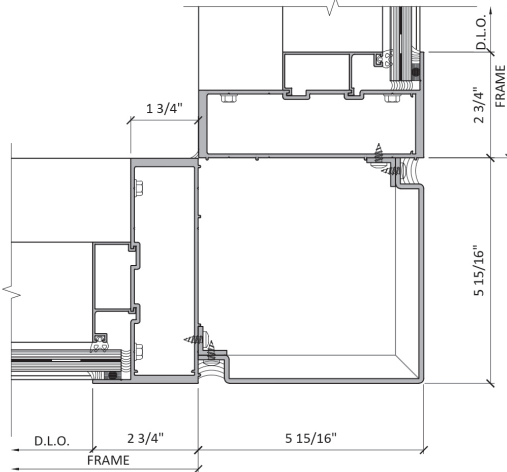
6 SILL DETAIL



1 JAMB DETAIL



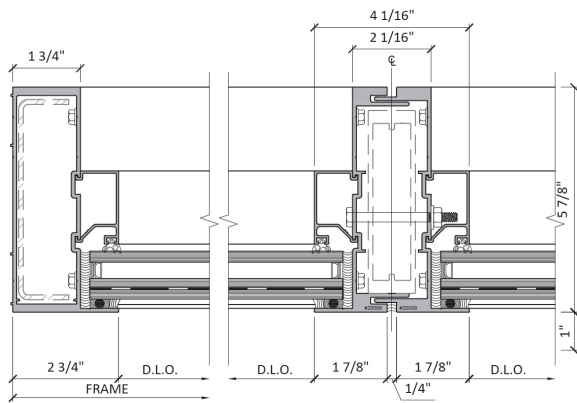
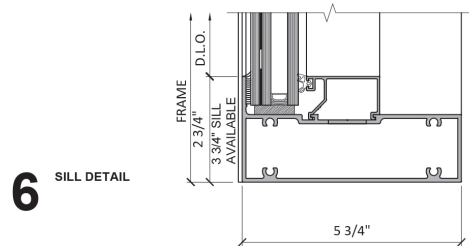
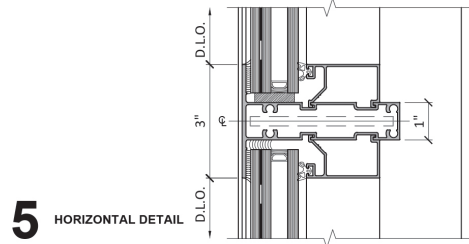
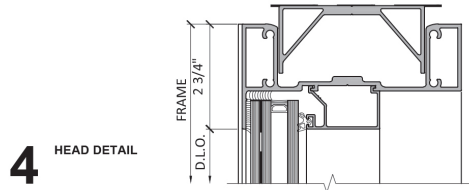
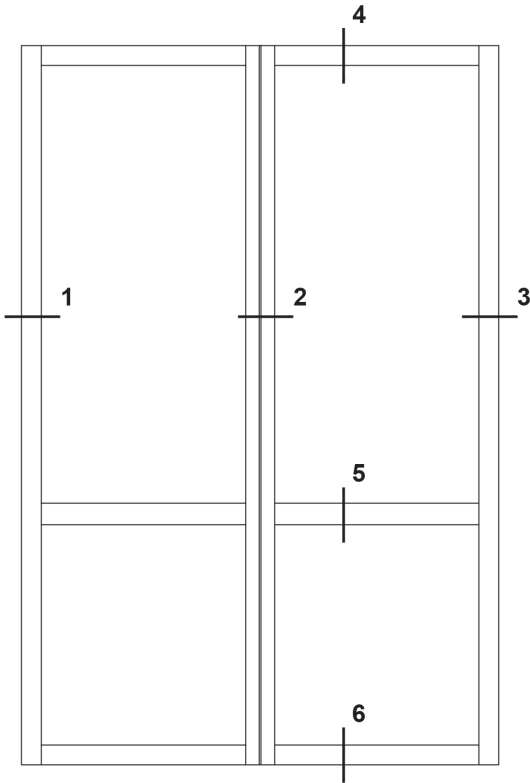
2 SPLIT MULLION



3 CORNER DETAIL

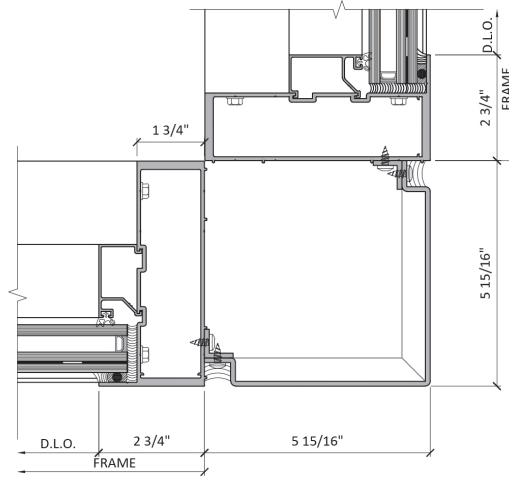
TYPICAL DETAILS

Option 2: 1 5/16" Insulated / Laminated glass



1 JAMB DETAIL

2 SPLIT MULLION



3 CORNER DETAIL



EPSYLON USA

1881 S.W. 3rd Street

Pompano Beach, FL 33069

Tel.: 954-942-3322

info@epsylon.ca
